

DVI-ECO Seamless Intelligent Switcher



DESCRIPTION

DVI-ECO video conference system gets rid of the limits of time, space effectively, and realize face to face communication anytime and anywhere. It not only reduces operating costs of enterprise, but also it can improve work efficiency and decision response speed. So the video conference system has been approved by users widely.

The DVI-ECO seamless intelligent switcher that Dalian GigaTec researches and develops exclusively can realize auto-detection and auto-switch for main and backup conference terminal output signal in order to reduce the troubleshooting of system malfunction and avoid the failure of conference terminal leading to be forced to interrupt the video conference. The main and backup conference terminals are enabled simultaneously, the DVI-ECO will detect abnormal signal no time when the main conference terminal is without output signal, at the same time it will be static frame output for the last frame image owing to abnormal signal. It can avoid video signal interruption, meanwhile the DVI-ECO will be switched automatically to backup conference terminal and it can realize seamless switch for video. Signal switching time is 1 frame, so participants can enable the backup conference terminal when they do not still detect any abnormal situation, finally it will make the conference normally. The equipment will be sophisticated "powerful tool" in the medium, high-end video conference system.

SPECIFICATIONS

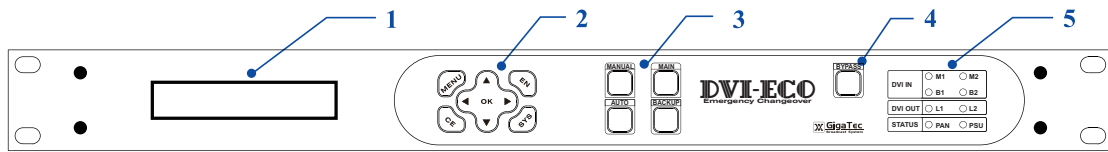
Size	1RU	
Connector	RS-232/422 ×1 TCP/IP ×1	
Power Supply	90~260VAC, 50/60Hz	
Power Consumption	40W	
Mechanical	Width	483mm
	Height	44mm
	Depth	183mm
Environmental	Operating Temperature	0°C~40°C
	Relative Humidity	10%~90%
Signal Type	Simple chain DVI-D or HDMI signal	
Signal Standard	DVI 1.0 or HDMI 1.3	
Max. Resolution	VESA standard: 1920×1080@60Hz	
	SMPTE standard: 1080p@60	

FEATURES

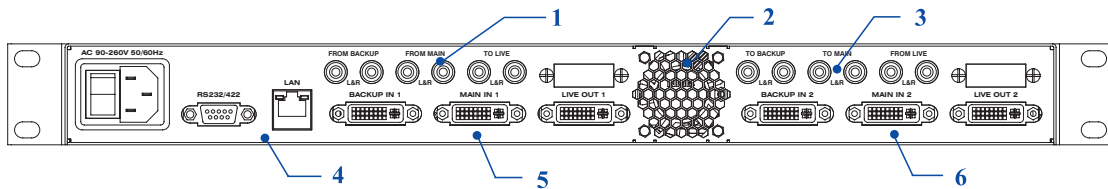
- 1RU, 19 in.
- Cooling system
- Video signal format: DVI-D single link (compatible DVI 1.0 and HDMI 1.3 protocol)
- Max. resolution: 1920×1080@60Hz (VESA) or 1080P@60 (SMPTE)
- Supports EDID management
- Dual group 2×1 DVI-D main/backup automatic detection switch unit
- Video switch time: 1 frame
- 1 group 2×1 analog audio switch unit (follows video switch)
- 1 group 1×2 analog audio switch unit
- Main channel V/A signal supports power-off loop-through (optional)
- Supports LAN, RS-232/422 and control panel
- Non-volatile memory
- Supports firmware upgrade

Video Input		Video Output	
Connector	DVI-I	Connector	DVI-I
Impedance	50Ω single end	Impedance	50Ω single end
Return Loss	>15dB, 1MHz~1.5GHz	Return Loss	>15dB, 1MHz~1.5GHz
Input Cable Length	5m/25m (24AWG)	EQ	Auto
Audio Input		Audio Output	
Connector	RCA ×2	Connector	RCA ×2
Signal Format	Stereo audio (unbalanced)	Signal Format	Stereo audio (unbalanced)

FRONT/REAR VIEW

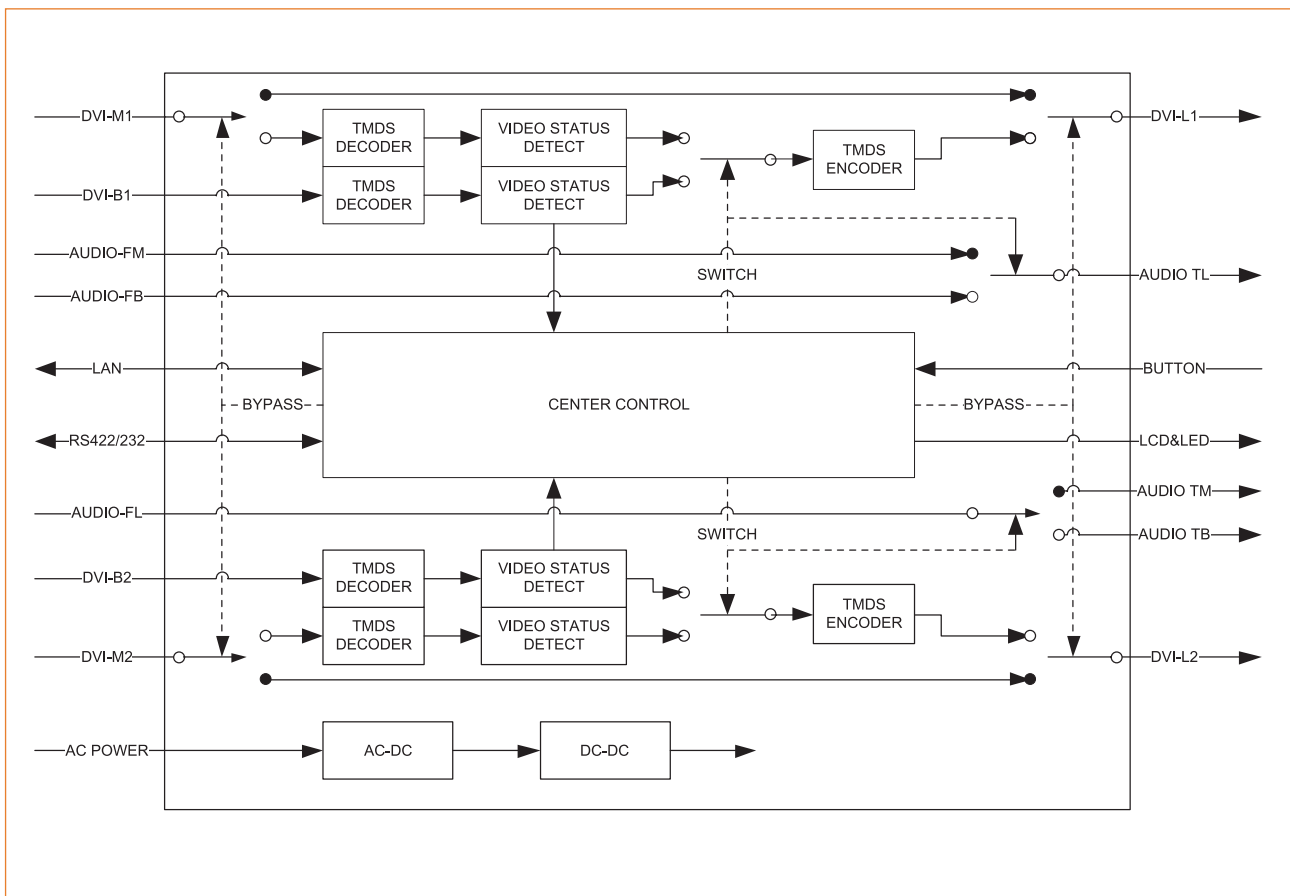


1. Menu display
2. System parameter settings
3. MANUAL: manual switch mode
AUTO: automatic switch mode
MAIN: main channel selection
BACKUP: backup channel selection
4. BYPASS button
5. Status display

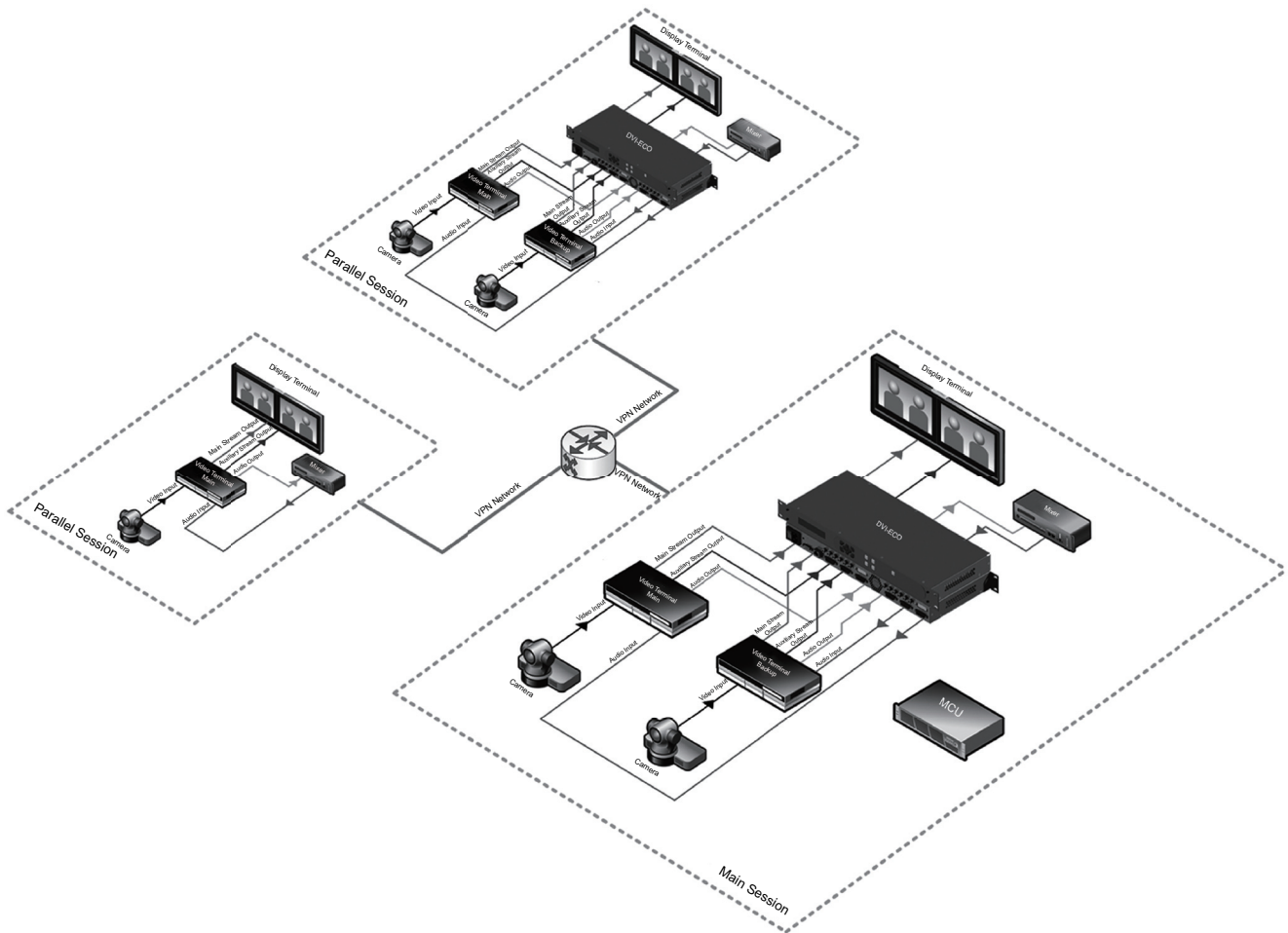


1. Analog video 2x1 switch unit, audio switches with video
2. Cooling unit to ensure air circulation inside and outside the frame and release the heat
3. Analog audio 1x2 switch unit
4. External control interface: RS232/422 and TCP/IP control interface
5. DVI signal 2x1 switch unit, input auto cable EQ -- effective compensation for reduction of long distance input signal
6. DVI signal 2x1 switch unit, input auto cable EQ -- effective compensation for reduction of long distance input signal

BLOCK DIAGRAM



SYSTEM CONNECTION DIAGRAM



NOTE:

.....

.....

.....

.....

.....

.....

.....

.....

.....

.....